



Terminus® Light Trap Instructions

Thank you for choosing the Terminus® Light Trap.

The Terminus® Light Trap system is an effective and clean method of flying insect control. There are no exploding insect parts, because the unit does not electrocute the insects. It utilizes a unique balance of the ultraviolet light as an attractant to lure flying insects to the glueboard. Terminus® Light Trap operates silently and continuously, 24 hours per day. The insects are captured and contained on the adhesive board for easy disposal. Note: The glueboard should be changed as least once a month during Summer months.

To achieve optimal results from the Terminus® Light Trap system, please read these instructions.

A silent Insect Control System is an important component of an efficient pest management program.

INSTALLATION

The following steps are a guideline to ensure proper installation:

Step 1.) Find location or source of insect problem, such as trash receptacles or compactors. Make sure that UV light won't be visible from outdoors. For optimal results, install the unit below eye level.

Step 2.) For mounting; locate solid wall structure for placement of unit.

Note: Terminus® Light Trap must be placed 3m (10') away from open food preparation areas.

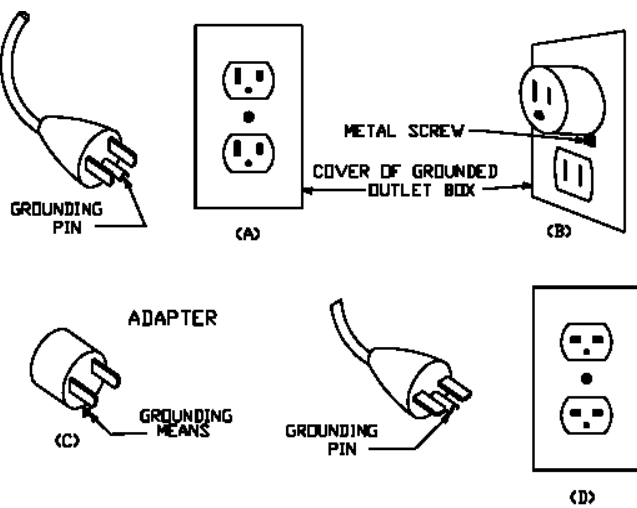
Step 3.) Mark and drill pilot holes & affix mounting screws to match key slots on back of unit.

Step 4.) Mount the Terminus® Light Trap unit onto the wall by aligning the key slots to screws.

Step 5.) Lift the front panel and place the glueboard into unit.

GROUNDING INSTRUCTIONS

- 1.) The product is equipped with an appropriate 3-conductor cord and a 3-prong grounding type plug to fit the proper grounding type receptacle. To reduce the risk of an electric shock, the plug must be plugged into an appropriate outlet that is properly installed and grounded in accordance with all local codes and ordinances:



This appliance must be grounded. In the event of malfunction or breakdown, grounding provides a path of least resistance for electric current to reduce the risk of electric shock. This appliance is equipped with a cord having an equipment-grounding conductor and a grounding plug. The plug must be plugged into an appropriate outlet that is properly installed and grounded

DANGER - Improper connection of the equipment-grounding conductor can result in a risk of electric shock. The conductor with insulation having an outer surface that is green with or without yellow stripes is the equipment-grounding conductor. If repair or replacement of the cord or plug is necessary, do not connect the equipment-grounding conductor to a live terminal. Check with a qualified electrician or serviceman if the grounding instructions are not completely understood, or if in doubt as to whether the appliance is properly grounded. Do not modify the plug provided with the appliance - if it will not fit the outlet, have a proper outlet installed by a qualified electrician.

- 2.) **Extension Cords**
Use only a 3-wire extension cords which have 3-prong grounding type plugs and 3-pole receptacles which accept the product's plug. Replace or repair damaged cords.



Terminus® Light Trap Instructions

OPERATING INSTRUCTIONS

- 1.) Plug Terminus® light trap into a standard 120V outlet with ground pin.
- 2.) Lamps will light automatically.

USER- MAINTENANCE INSTRUCTIONS

- 1.) Replace lamps on an annual basis with same type rated 25 watts.
- 2.) Replace glueboard on a regular basis, at least monthly during Summer months.
- 3.) Clean Terminus® Light Trap regularly.
- 4.) To remove insects - disconnect power, remove the glueboard and discard, replace with new glueboard, reconnect power.
- 5.) To replace lamps - disconnect power, remove old tube, replace with new tube, re-connect power. Dispose of old lamps in accordance with disposal laws.

IMPORTANT SAFETY INSTRUCTIONS TO REDUCE THE RISK OF ELECTRICAL SHOCK, FIRE HAZARD OR INJURY TO PERSONS

WARNING - When using electric appliances, basic precautions should always be followed.

THE TERMINUS® LIGHT TRAP SYSTEM IS INTENDED FOR INDOOR HOUSEHOLD AND COMMERCIAL USE ONLY.

1. Read all instructions before using the appliance
2. Do not use outdoors
3. Do not unplug by pulling on cord. To unplug, grasp the plug, not the cord.
4. Do not operate any appliance with a damaged cord or plug, or after the appliance malfunctions or is dropped or damaged in any manner. Return appliance to the nearest authorized service facility for examination, repair, or electrical or mechanical adjustment
5. Unplug from outlet when not in use and before servicing or cleaning.
6. To reduce the risk of electrical shock or fire, do not put Terminus® Light Trap in water or other liquid. Do not place or store Terminus® Light Trap where it can fall or be pulled into a tub or sink.
7. Always unplug before replacing lamps.
8. All other servicing of units should be performed by an authorized service representative.
9. Connect to a properly grounded outlet only. See grounding instructions.

SAVE THESE INSTRUCTIONS

WARRANTY: The Terminus® Light Trap carries a 5 year warranty.